

**RIMMEL**

technical manual

**+**  
**Equipped wall-unit RIMMEL**

**R. A-1 / R. A-11**



**PRODUCT'S CARD N.R1**

Product and legal denomination: **EQUIPPED WALL UNIT**

Commercial name: **RIMMEL**

Typology: **ALUMINIUM AND GLASS AND WOOD**

PRODUCTS' COMPONENTS	USED MATERIALS
<b>Metal parts</b>	Structure in anodized aluminium profiles UNI 3569 .
<b>Glass parts</b>	Back panels: 4 mm. tempered glass, laquered or mirror
<b>Wood parts</b>	Back panels: 12 mm. from wood derived panel laminated (melaminic) grey or wood.
<b>Garnishings and other accessories</b>	Shelves and sides 30mm. thickness laminated (melaminic) wood or grey. Drawer's fronts in anodized aluminium profile. Trousers holder and clothes hanger in anodized aluminium profiles. Shirts holder's shelves in tempered 6 mm. glass. fluorescent lamp agreeing with CEE regulations.
<b>Possible harmful substances to health</b>	None
<b>Ordinary maintenance</b>	Clean with a soft cloth, slightly dampened and free from products containing solvent and/or abrasive material.
<b>Warnings</b>	The assembly must be made only by expert people, verifying the resistance of the wall's and ceiling's materials and the choice of the anchorage systems. Do not lay on the shelves weights above 10 kilos.

These cards of certification of the product comply with all what the law n.206 del 06.09.2005 prescribes.

**DELMONTE S.R.L** is certified with the management system for the quality according to **UNI EN ISO 9001:2000**, for the activity of planning and production of doors for interiors, furnishings and complements furniture in aluminium.



STRUTTURA /MONTANTI- STRUCTURE/PROFILES- STRUKTUR/POSTEN- STRUCTURE/MONTANTS



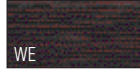
AL  
Alluminio  
Aluminium  
Aluminium



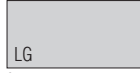
N  
Nero  
Black  
Schwarz  
Noir



RS  
Rovere sbiancato  
Bleached oak  
Eichenholz gelblichen  
Rouvre blanchi



WE  
Venge  
Wenge  
Wenge  
Wenge



LG  
Grigio  
Grey  
Grau  
Gris

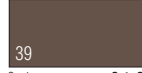
SCHIENALI IN LEGNO - BACKS IN WOOD - RÜCKWÄNDE AUS HOLZ - DOS EN BOIS



40  
Specchio  
Mirror  
Spiegel  
Miroir



38  
Tortora  
Tortora  
Tortora  
Tortora



39  
Sughero  
Sughero  
Sughero  
Sughero



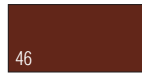
41  
Bianco Neve  
White snow  
Weiss Schnee  
Blanc neige



44  
Ardesia  
Ardesia  
Ardesia  
Ardesia



45  
Blu notte  
Blu notte  
Blu notte  
Blu notte



46  
Caffè  
Caffè  
Caffè  
Caffè



47  
Rosso  
Red  
Rot  
Rouge



48  
Nero  
Black  
Schwarz  
Noir



50  
Specchio acidato  
Frosted mirror  
Spiegel retour  
Miroir acidifié

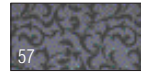


51  
Neve acidato  
Frosted snow  
Schnee satiniert  
Neige acidifié



53  
Neve extrachiaro  
Extra light snow  
Extra hell Schnee  
Neige extra claire

SCHIENALI VETRI OPACHI - BACKS WITH MATT GLASS - RÜCKWÄNDE AUS GLAS MATT - DOS EN VERRE OPAQUE



57  
Fiandra nero  
Fiandra nero  
Fiandra nero  
Fiandra nero



58  
Fiandra bianco  
Fiandra bianco  
Fiandra bianco  
Fiandra bianco



59  
Fiandra tortora  
Fiandra tortora  
Fiandra tortora  
Fiandra tortora

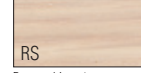
SCHIENALI VETRI OPACHI - BACKS WITH MATT GLASS - RÜCKWÄNDE AUS GLAS MATT - DOS EN VERRE OPAQUE



AL  
Alluminio  
Aluminium  
Aluminium



N  
Nero  
Black  
Schwarz  
Noir



RS  
Rovere sbiancato  
Bleached oak  
Eichenholz gelblichen  
Rouvre blanchi



WE  
Venge  
Wenge  
Wenge  
Wenge

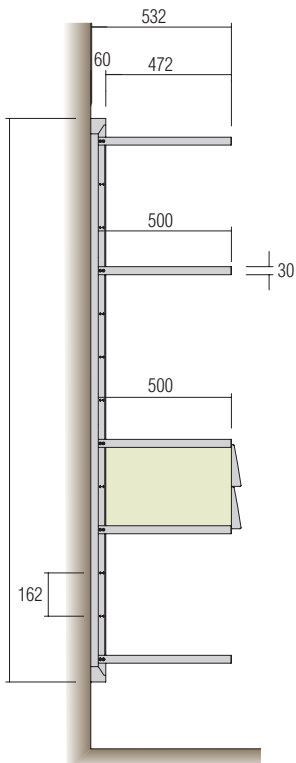
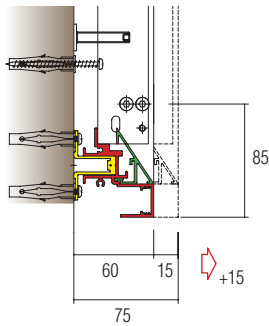
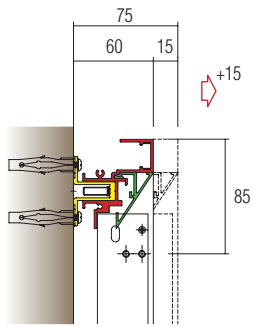


LG  
Grigio  
Grey  
Grau  
Gris

MENSOLE/CONTENITORI - SHELVES/CONTAINERS - BÖDEN/CONTAINER-ÉTAGÈRES/CONTAINERS

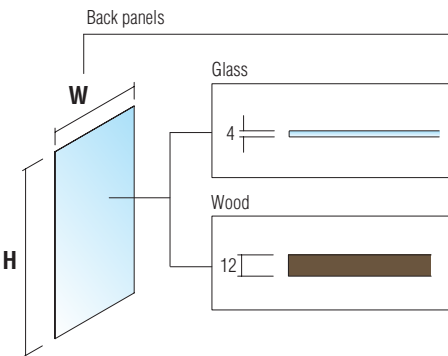
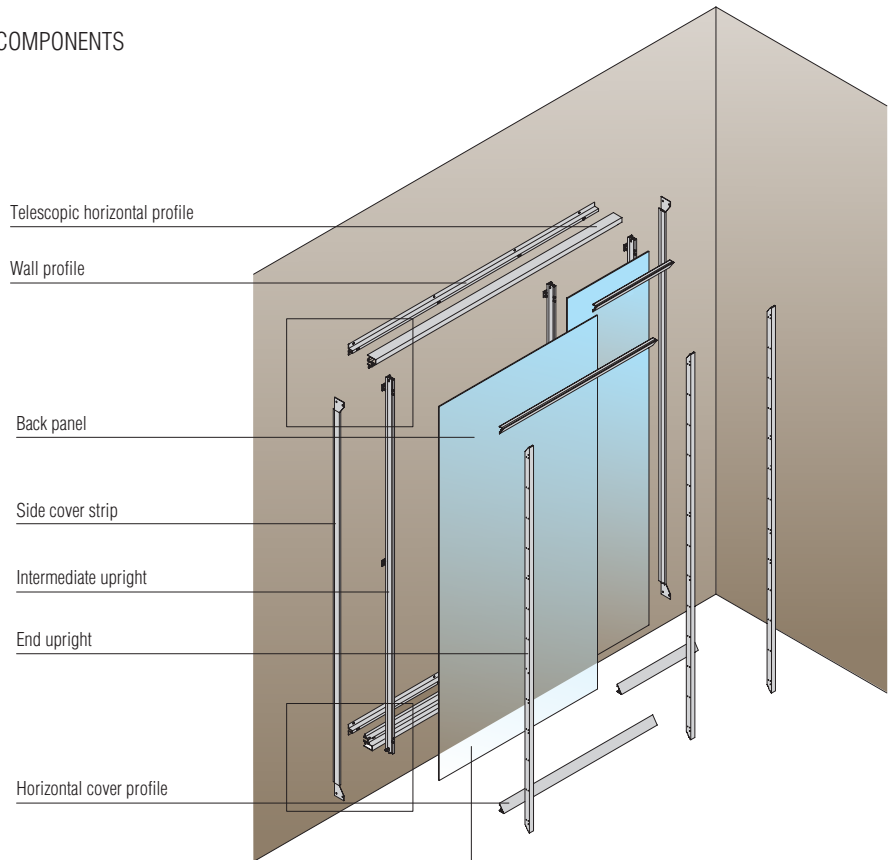
# RIMMEL

## SUSPENDED STRUCTURE: CHARACTERISTICS



Rimmel is an equipped wall unit for wardrobe with suspended structure. Components are modules in 2 width and 3 heights. The structure is in anodized aluminium and can be covered with back panels in wood or in glass. Thanks to aluminium supports fixed to the structure, shelves and accessories can be placed according to any needs.

### COMPONENTS

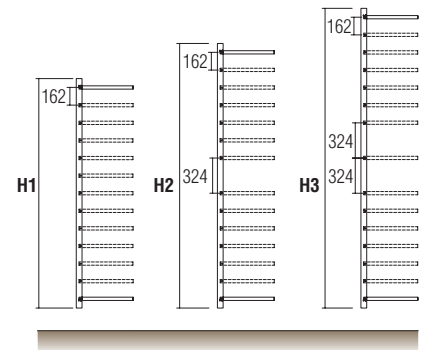
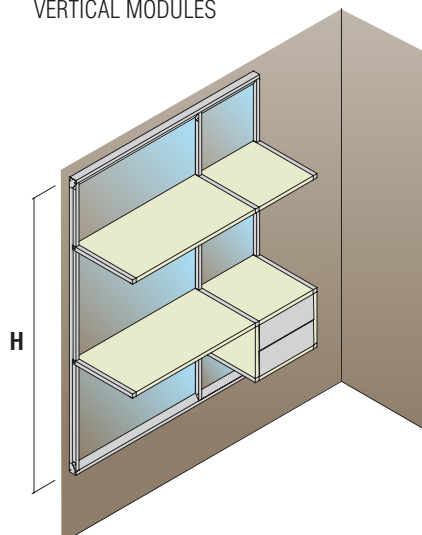


- Back panels
  - Frosted glass
  - Matt glass
  - Wood

See the finishings list

Note: Glass is 4 mm thickness (see cat. B-C-D).  
Wood is 12 mm thickness melaminic grey, bleached oak, wengé.

### VERTICAL MODULES

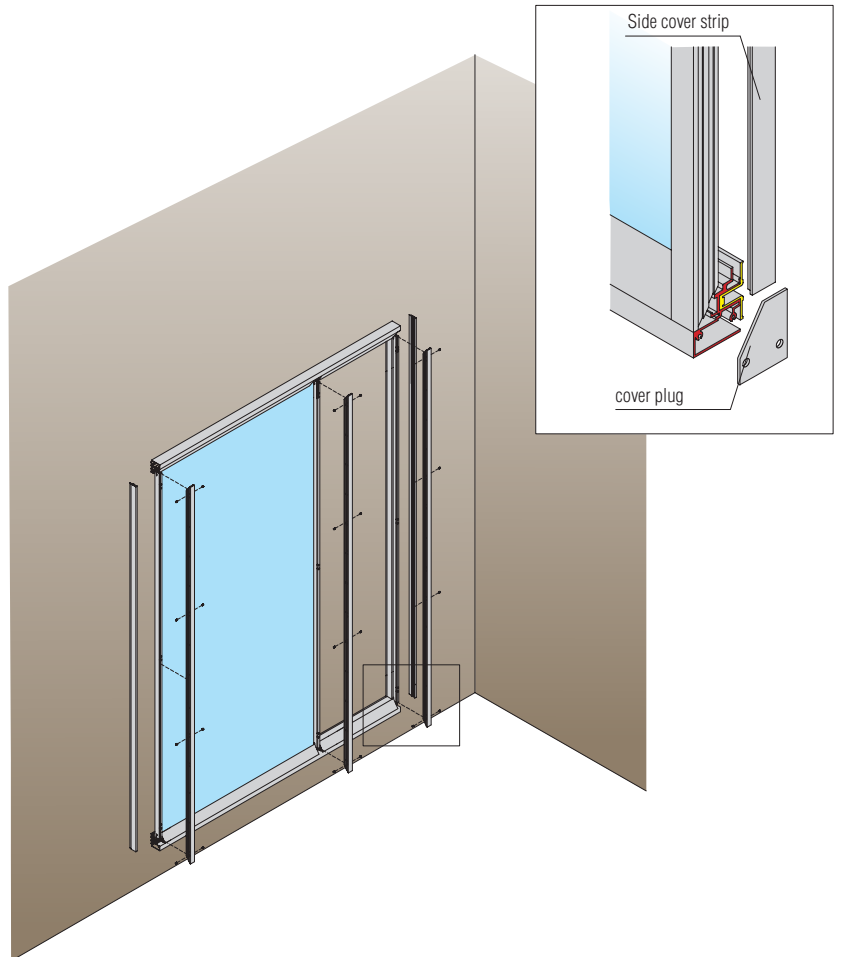
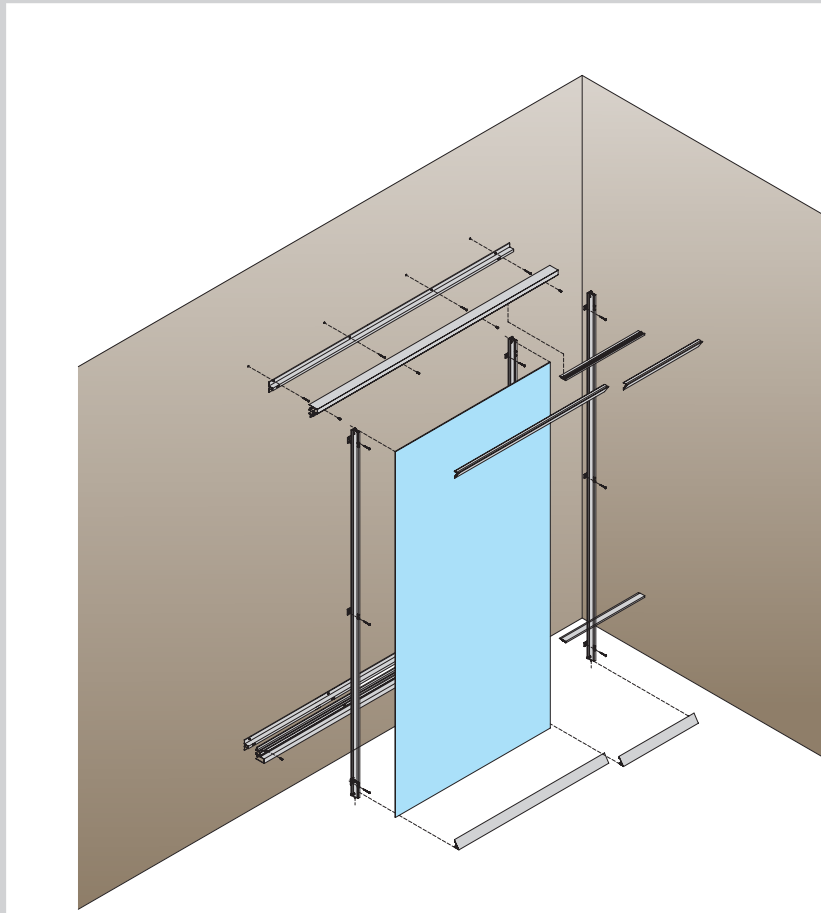
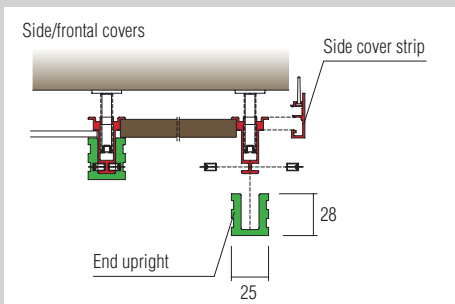
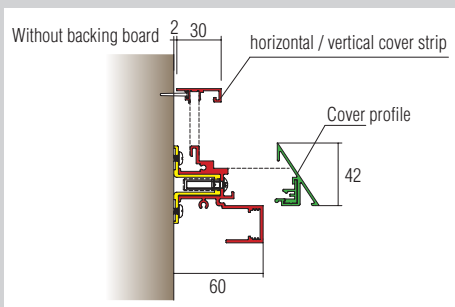
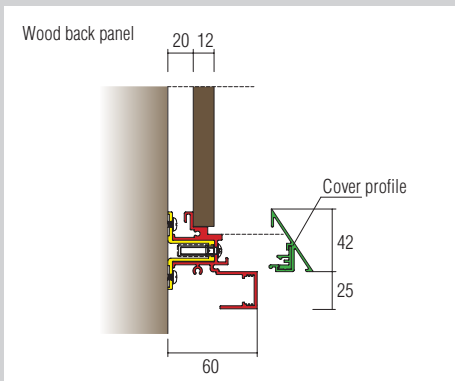
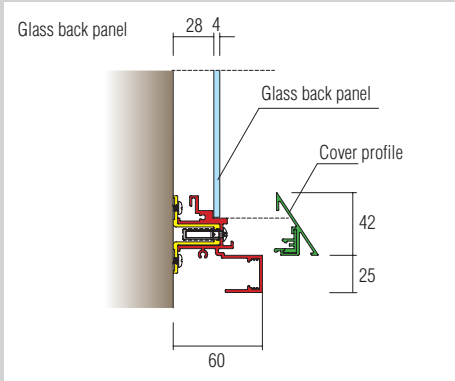
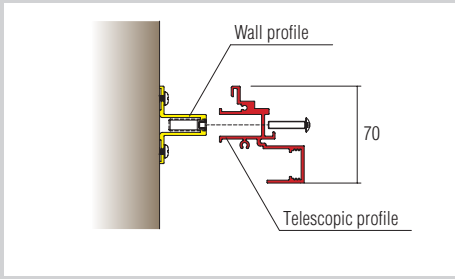


- H = 2115 mm (H1)
- 2439 mm (H2)
- 2763 mm (H3)

Accessories can be fixed each 162 mm.

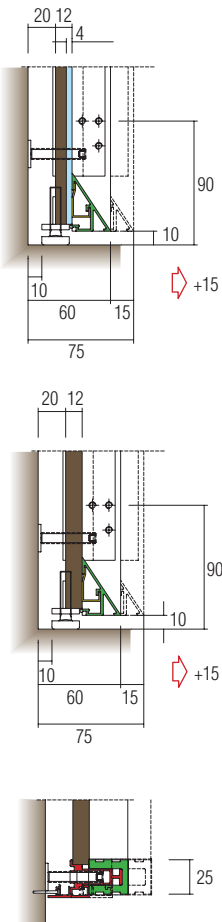
# RIMMEL

## SUSPENDED STRUCTURE: ASSEMBLING



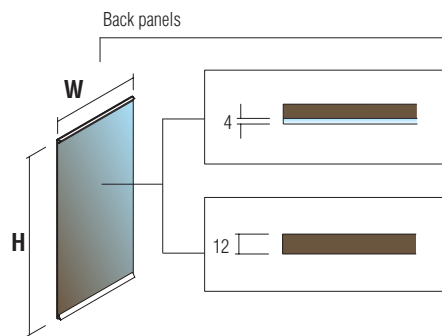
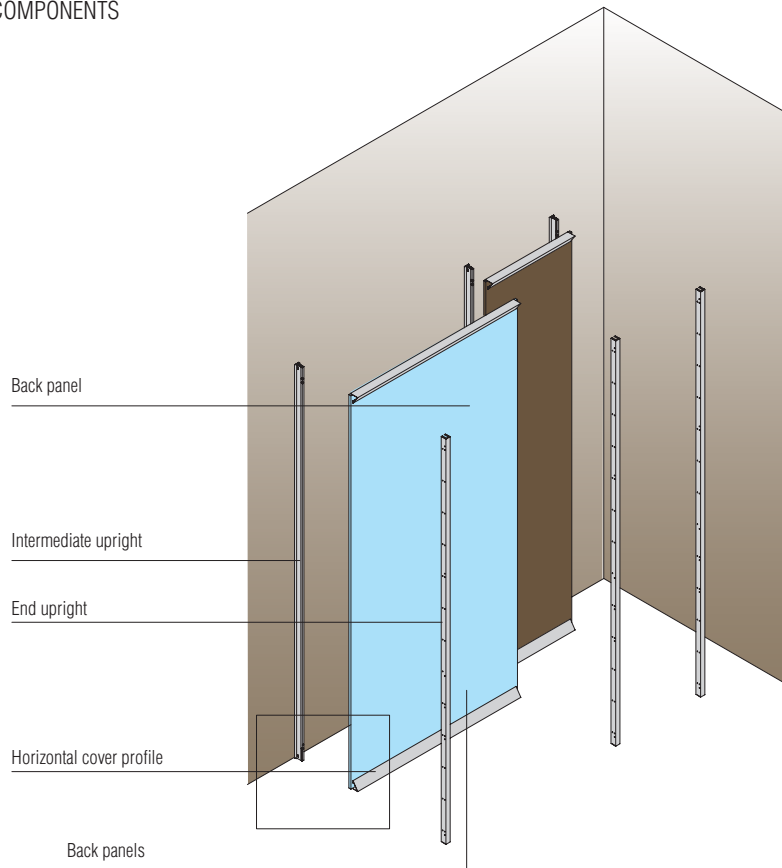
# RIMMEL

## FLOOR STRUCTURE: CHARACTERISTICS



Rimmel is an equipped wall unit for wardrobe with floor structure. Components are modules in 2 width and 3 heights. The structure is in anodized aluminium and can be covered with back panels in wood or in glass. Thanks to aluminium supports fixed to the structure, shelves and accessories can be placed according to any needs.

### COMPONENTS



Horizontal profiles in anodized aluminium

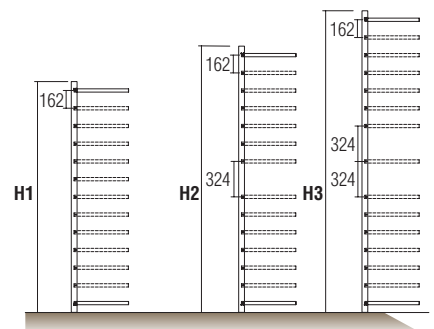
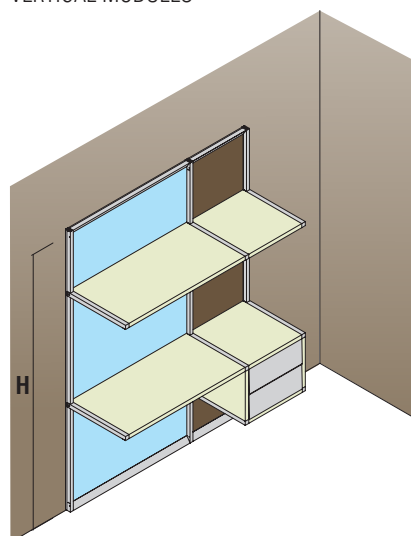
-Back panels

- Frosted glass
- Matt glass
- Wood

See the finishings list

Note: Glass is 4 mm thickness (see cat. B-C-D).  
Wood is 12 mm thickness melaminic grey, bleached oak, wengé.

### VERTICAL MODULES



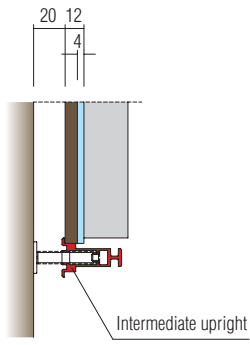
H = 2115 mm (H1)  
2439 mm (H2)  
2763 mm (H3)

Accessories can be fixed each 162 mm.

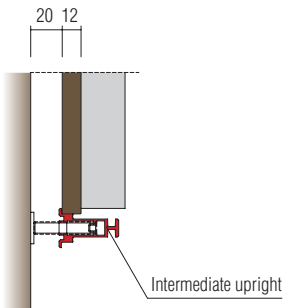
# RIMMEL

## FLOOR STRUCTURE: ASSEMBLING

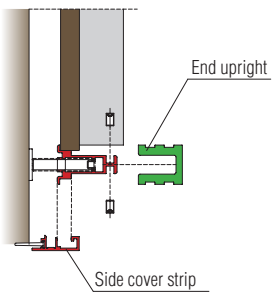
Back panel Glass



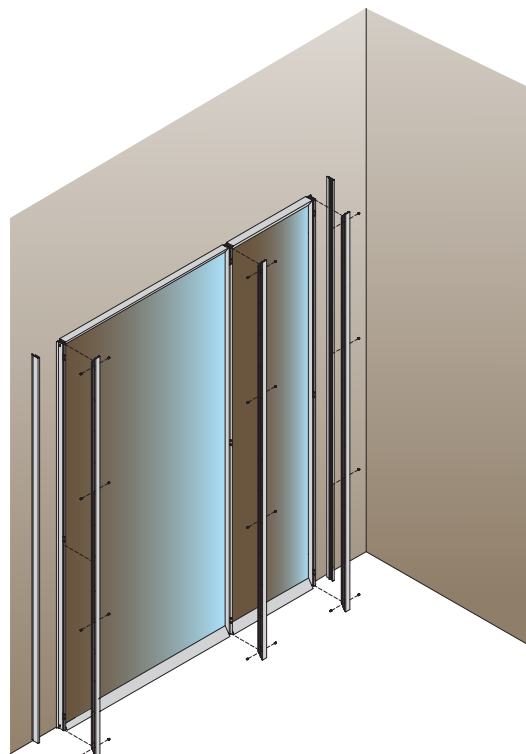
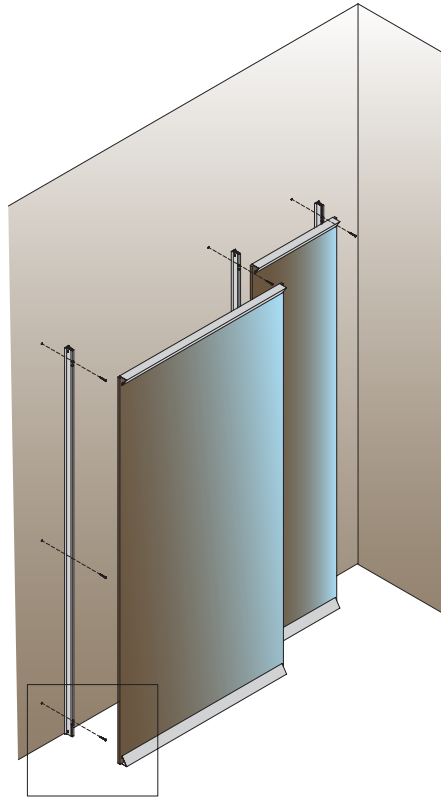
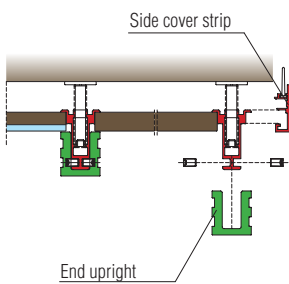
Back panel Wood



Side/frontal covers

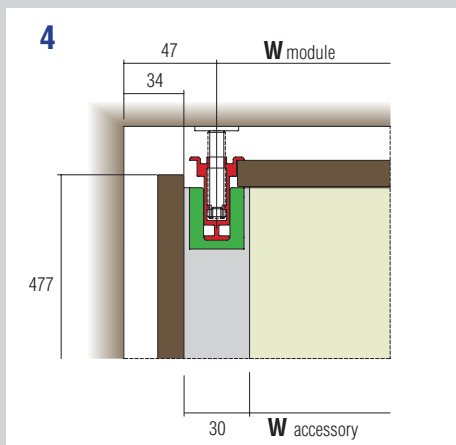
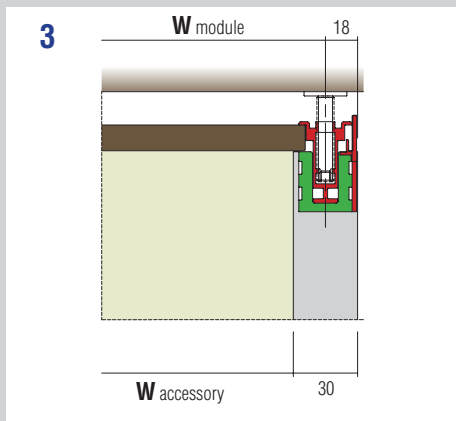
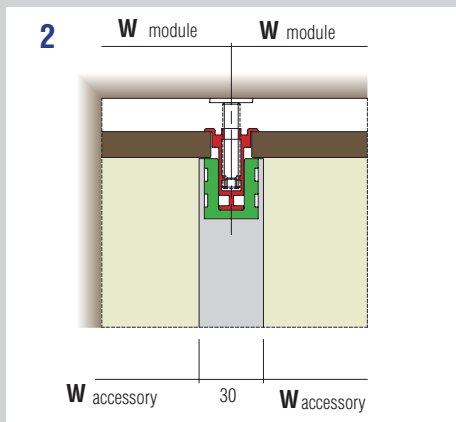
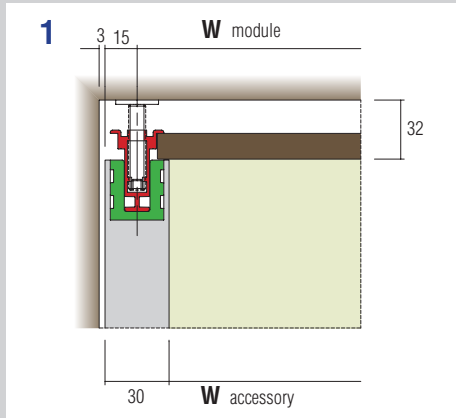


Side/frontal covers

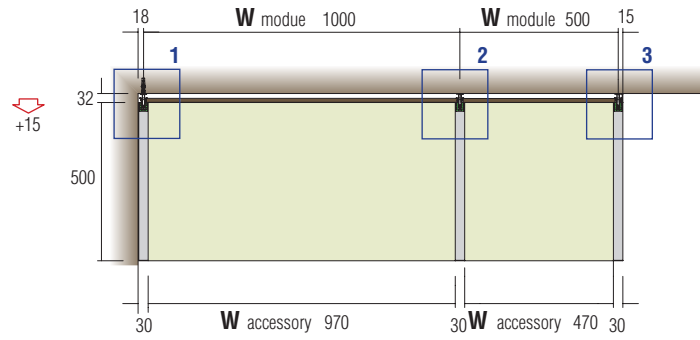


# RIMMEL

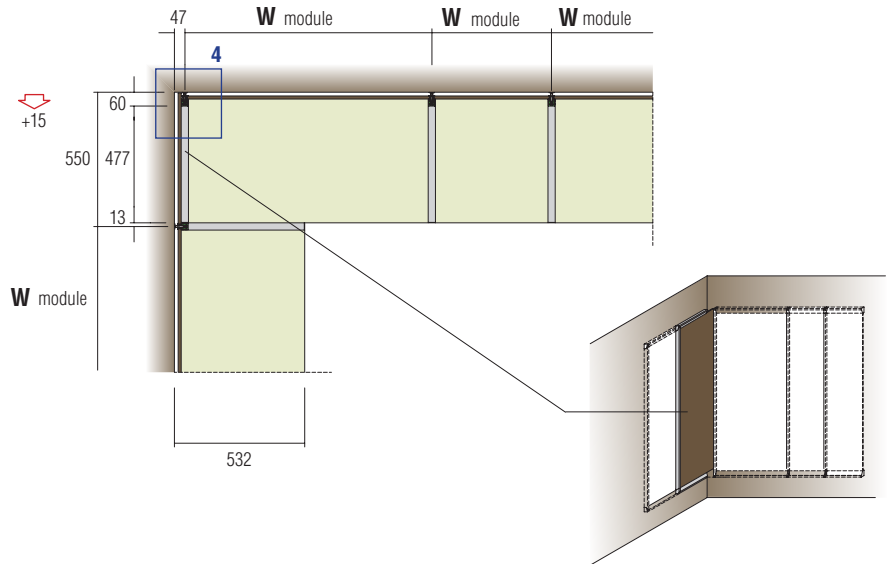
SUSPENDED OR FLOOR SOLUTION: CALCULATING RULES



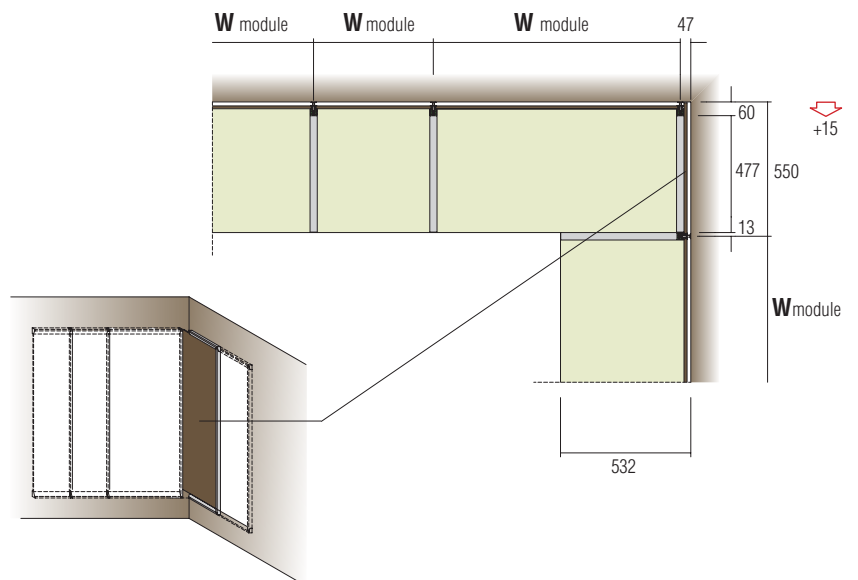
## LINEAR SOLUTION



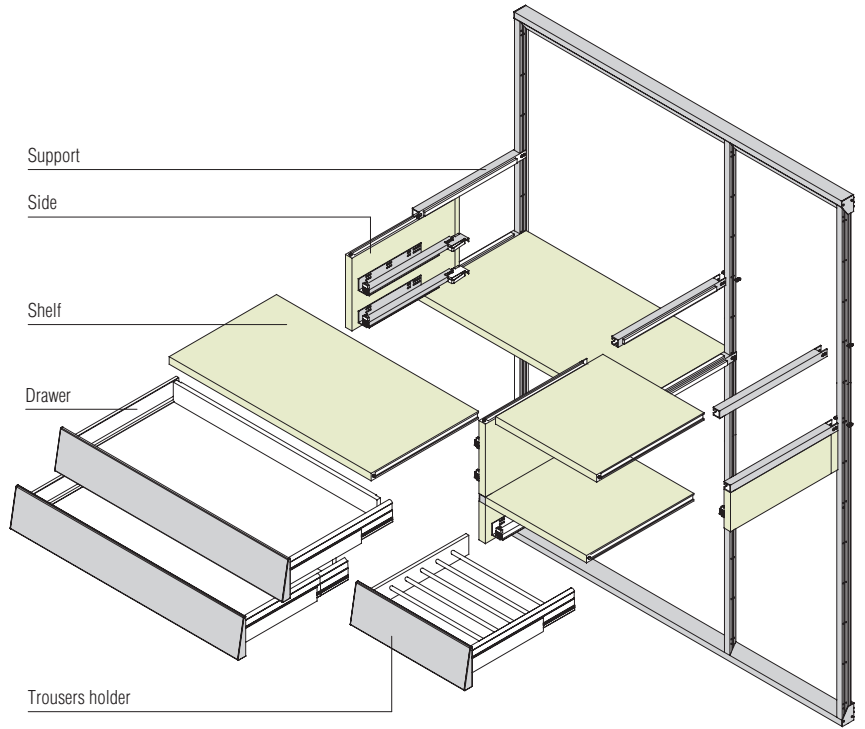
## LEFT CORNER SOLUTION



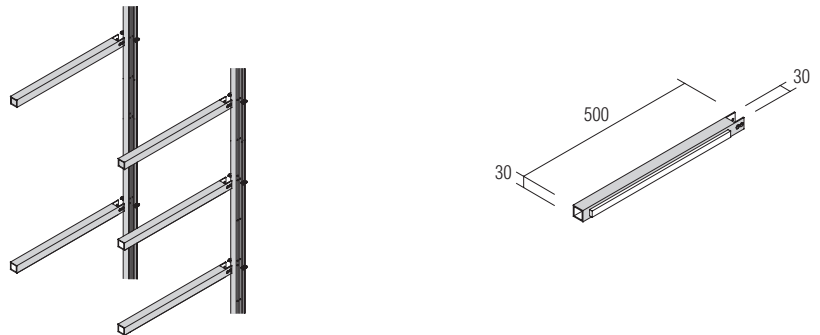
## RIGHT CORNER SOLUTION



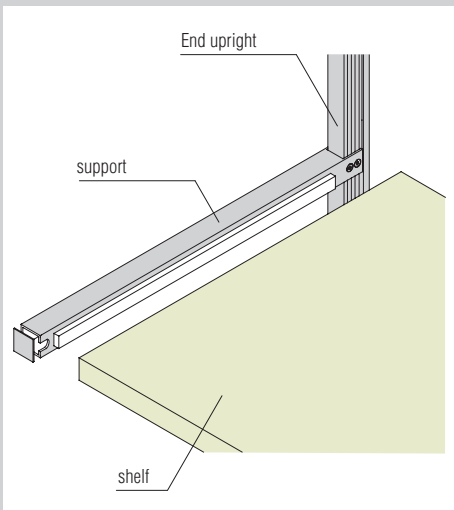
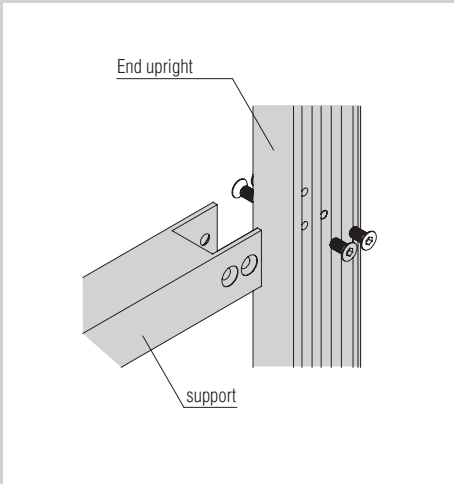
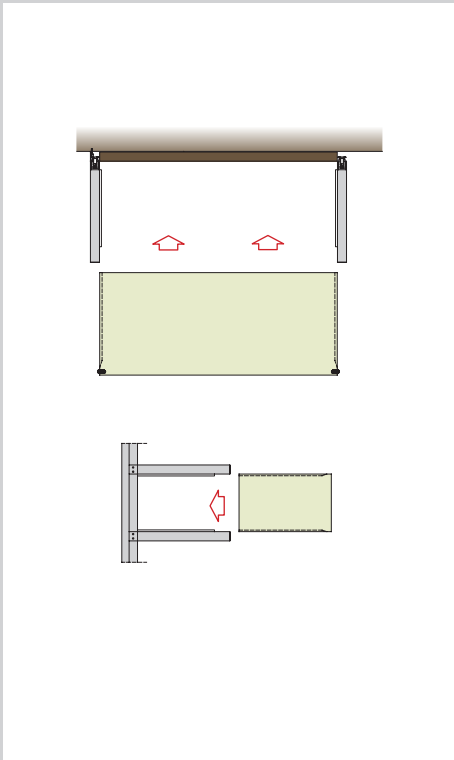
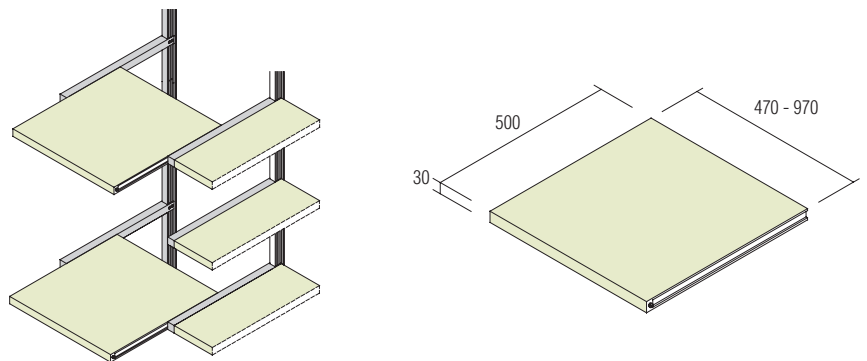
COMPONENTS



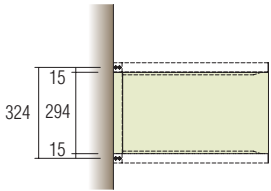
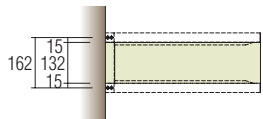
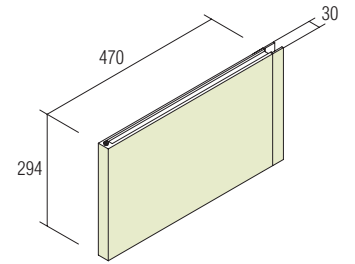
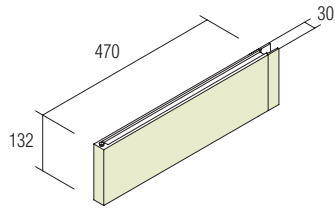
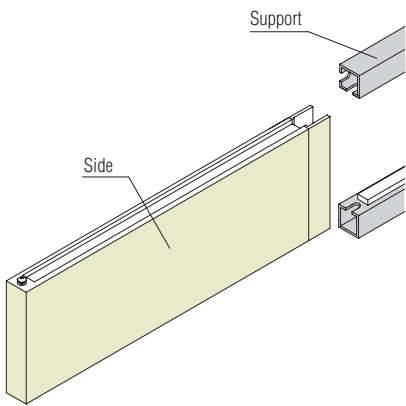
SUPPORTS



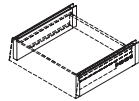
SHELVES



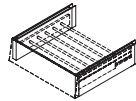
SIDES



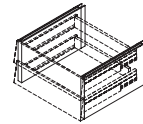
1 drawer kit



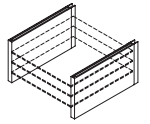
Trousers holder kit



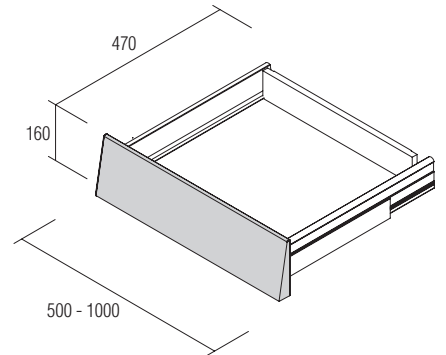
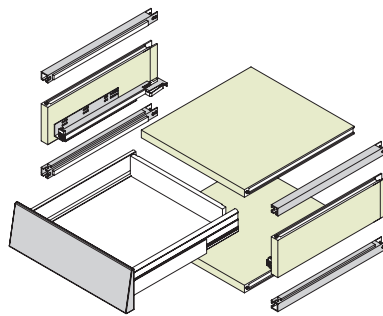
2 drawers kit



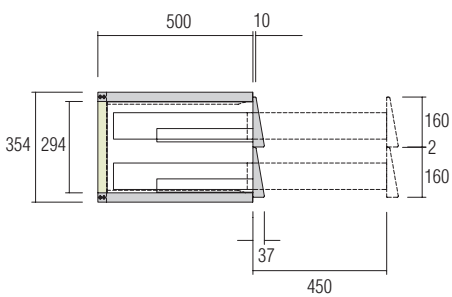
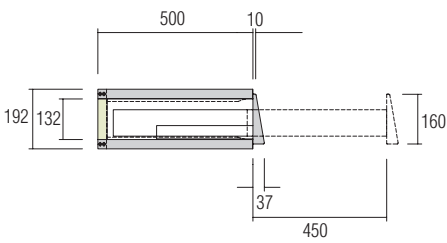
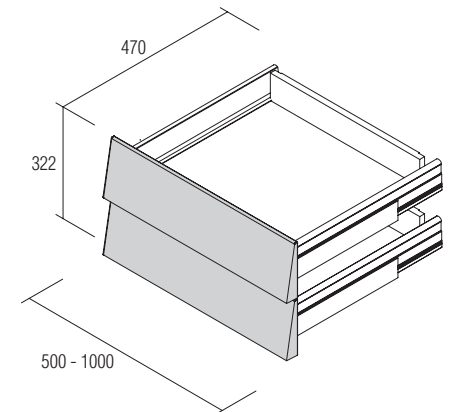
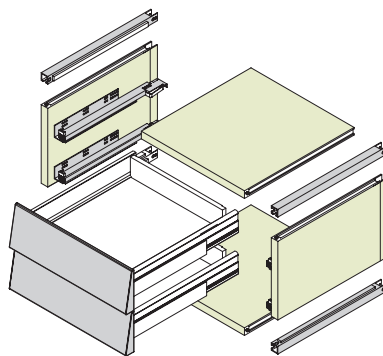
Shirts holder kit

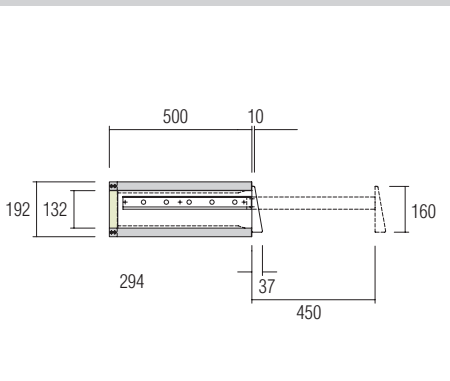


1 DRAWER KIT

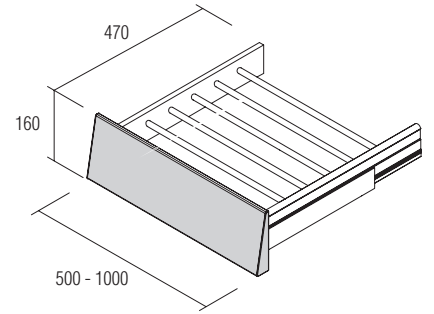
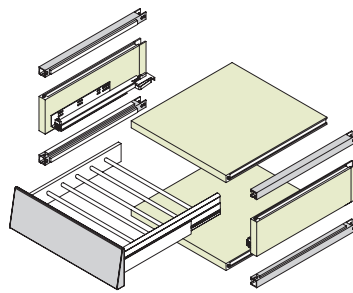


2 DRAWERS KIT

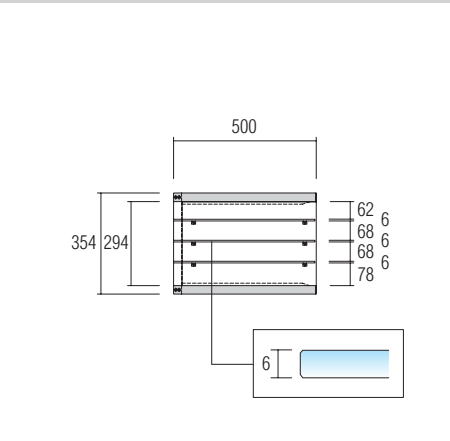
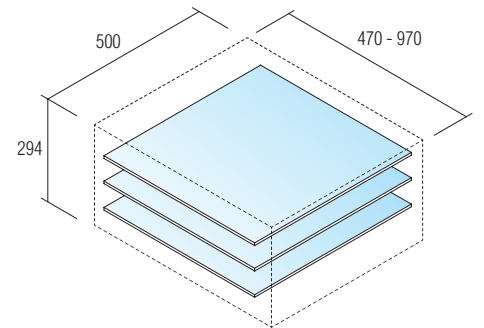
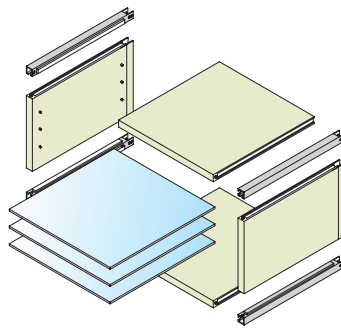




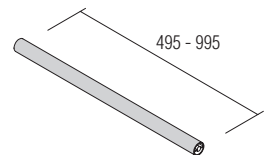
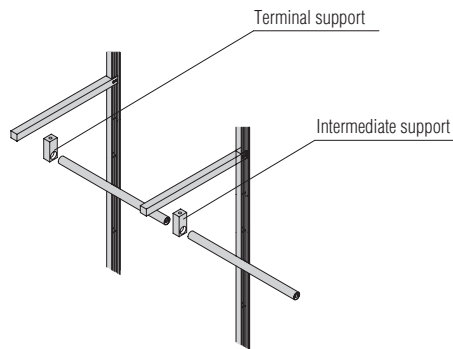
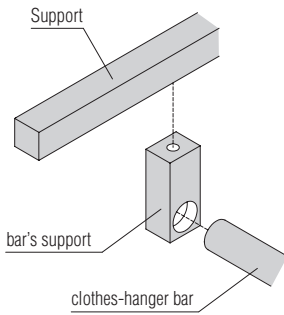
TROUSERS HOLDER KIT



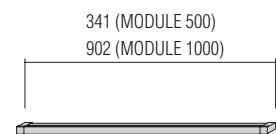
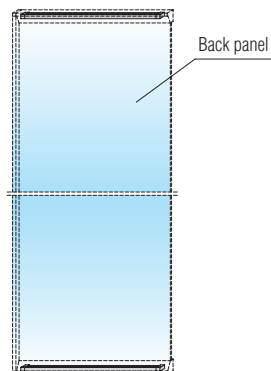
SHIRTS HOLDER KIT



CLOTHES HANGER



LAMP



Note: only for suspended solutions