

**SCREEN**

technical manual

**+**  
**Shelf unit SCREEN**

**S. D-1 / S. D-8**



# SCREEN

SHELF UNIT WARDROBE: PRODUCT'S CARD

## PRODUCT'S CARD N.S6

Product and legal denomination: **SHELF UNIT WARDROBE**

Commercial name: **SCREEN**

Typology: **ALUMINIUM AND GLASS OR WOOD**

PRODUCT'S COMPONENTS	USED MATERIALS
<b>Metal struktur</b>	profiled aluminium UNI 3569 brushed anodized
<b>Accessories</b>	Shelves' thickness mm. 30 white wood rolled. Drawers' fronts in anodized profiled aluminium Trousers holder and clothes hanger in anodized profiled aluminium Shelves shirts holder in neutral tempered glass mm. 6. Fluorescent lamp corresponding the CEE rules.
<b>Possible harmful substance to health</b>	None
<b>Ordinary maintenance</b>	Clean with a soft cloth, slightly dampened and free from products containing solvent and/or abrasive material.
<b>Warnings</b>	The assembly must be made only by expert people, verifying the resistance of the wall's and ceiling's materials and the choice of the anchorage systems. Do not load the shelves over 10 kilos.

These cards of certification of the product comply with all what the law n.206 - 06.09.2005 prescribes.

**DELMONTE S.R.L is certified with the management system for the quality according to UNI EN ISO 9001:2000, for the activity of planning and production of doors for interiors, furnishings and complements furniture in aluminium.**



# SCREEN

## FINISHINGS SHELF WARDROBE-PROGRAM

STRUTTURA /MONTANTI- STRUCTURE/PROFILES- STRUKTUR/PFOSTEN- STRUCTURE/MONTANTS



AL  
Alluminio  
Aluminium  
Aluminium  
Aluminium



RS  
Rovere sbiancato  
Bleached oak  
Eichenholz gebleichen  
Rouvre blanchi



WE  
Wenge  
Wenge  
Wenge  
Wenge



NC  
Noce canaletto  
Canaletto walnut  
Nussbaum canaletto  
Noyer canaletto

MENSOLE/CONTENTORI- SHELVES/CONTAINERS- BÖDEN/CONTAINER-ÉTAGÈRES/CONTAINERS



RS  
Rovere sbiancato **Cat. E**  
Bleached oak  
Eichenholz gebleichen  
Rouvre blanchi



WE  
Wenge **Cat. E**  
Wenge  
Wenge  
Wenge



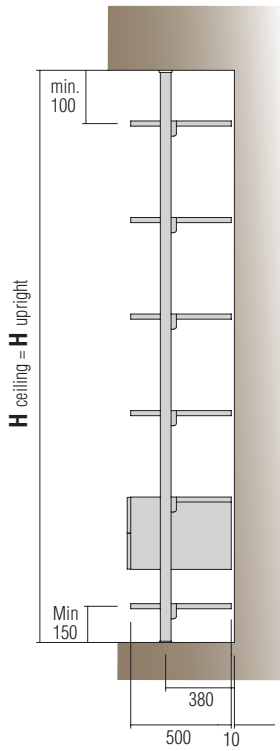
W  
Bianco  
White  
Weiss  
Blanc

N.B.: PER IL DETTAGLIO DELLE FINITURE DISPONIBILI DEL PRODOTTO, CONSULTARE LE PAGINE DEL LISTINO.  
N.B.: FOR FURTHER DETAILS ABOUT POSSIBLE FINISHINGS OF THE PRODUCT, SEE THE PRICELIST  
N.B.: FÜR WEITERE INFO WEGEN DER MÖGLICHEN AUSFÜHRUNGEN, SIEHE DIE PREISLISTE.  
N.B.: POUR LES FINITIONS DISPONIBLES DU PRODUIT, VOIR LA LISTE DES PRIX

# SCREEN

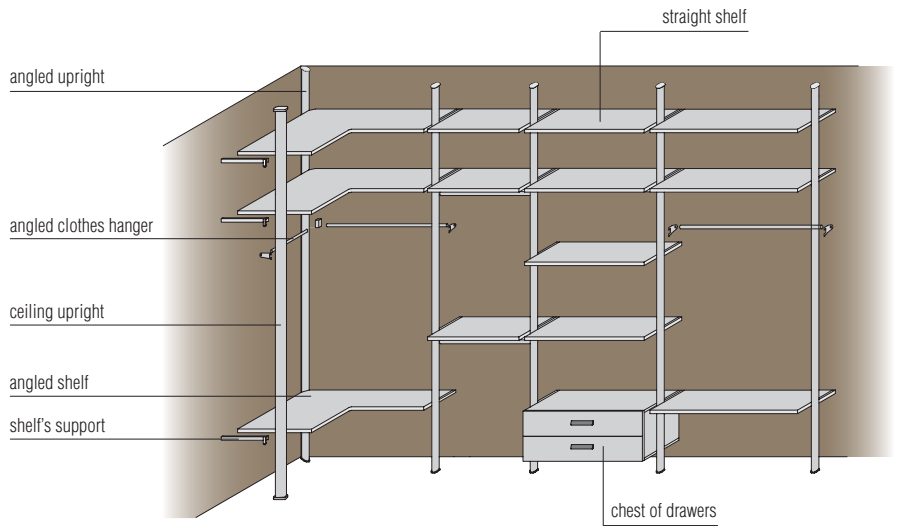
SHELF WARDROBE

## CEILING SOLUTION



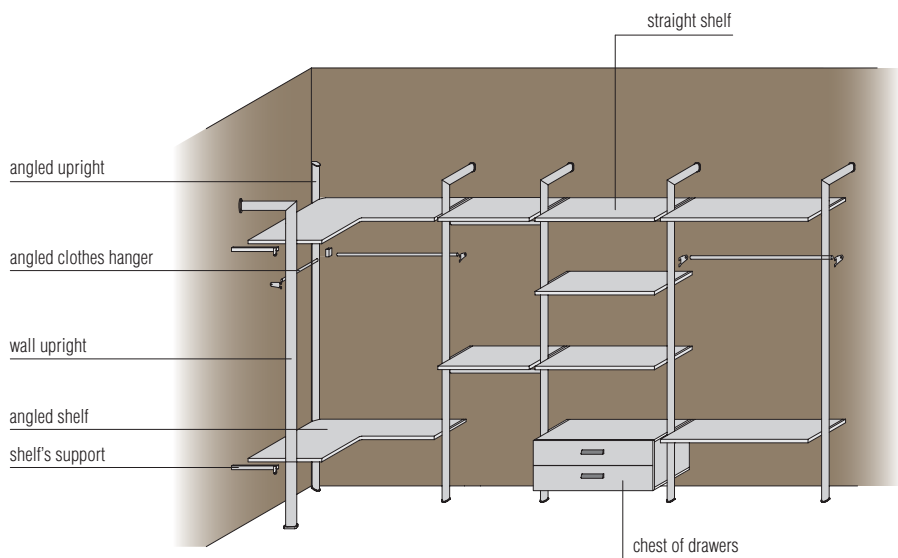
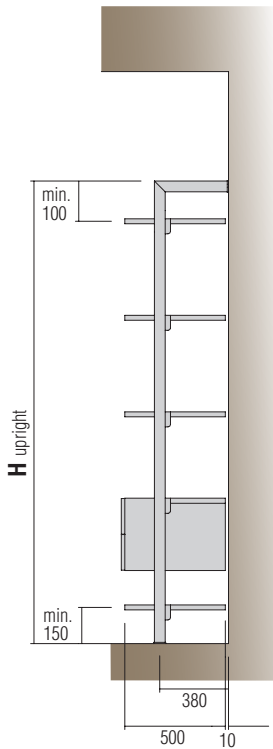
Shelf wardrobe made up of one structure in anodized aluminium which shelves and accessories can be put on, placed every 32 mm. It is made up of modules in 3 widths and 2 heights for the wall solution or in free height (until max 3200 mm) for the ceiling solution.

## CEILING SOLUTION



**H upright = H ceiling (max 3200 mm)**

## WALL SOLUTION



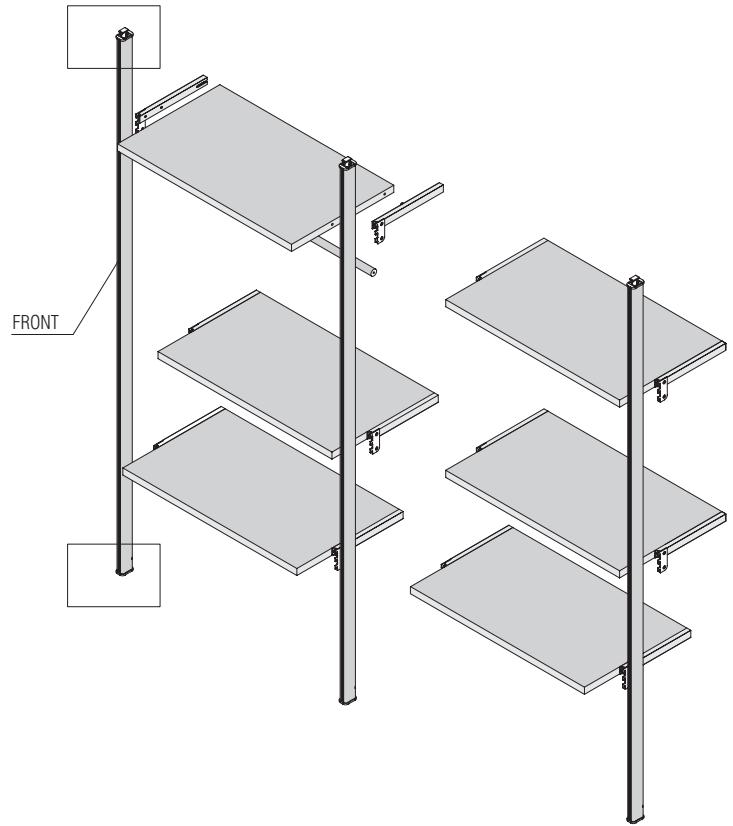
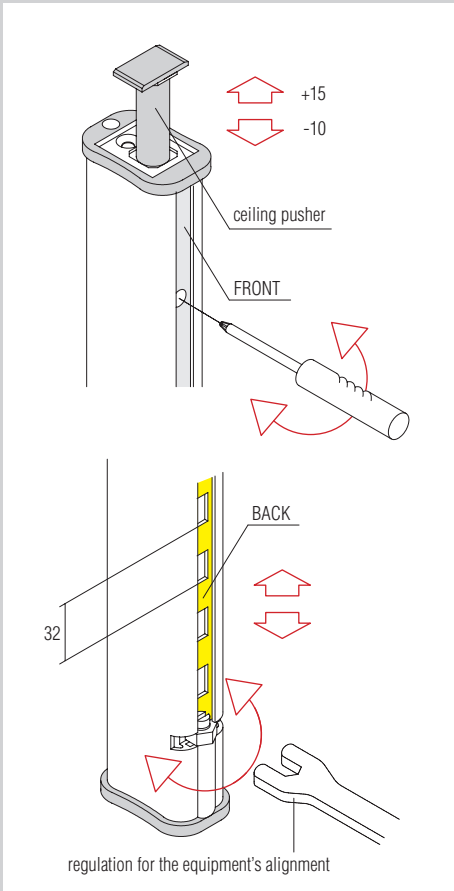
**H upright = 2400 mm**

**H upright = 2600 mm**

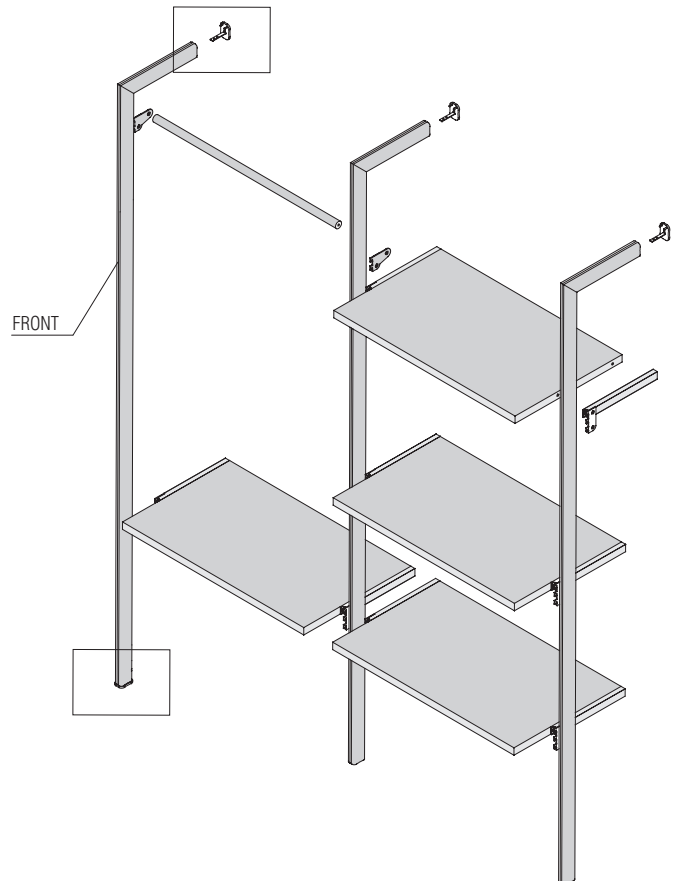
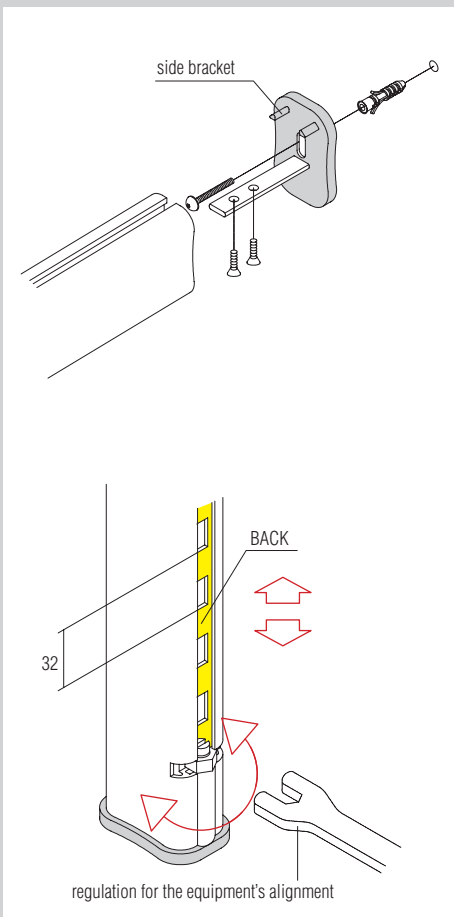
# SCREEN

SHELF WARDROBE

## CEILING SOLUTION'S REGULATION



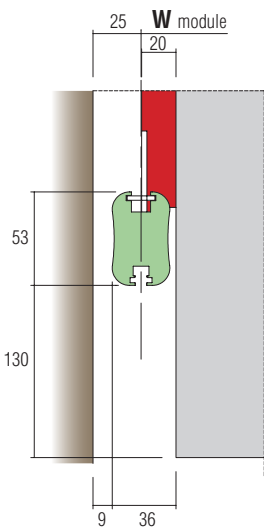
## WALL SOLUTION'S REGULATION



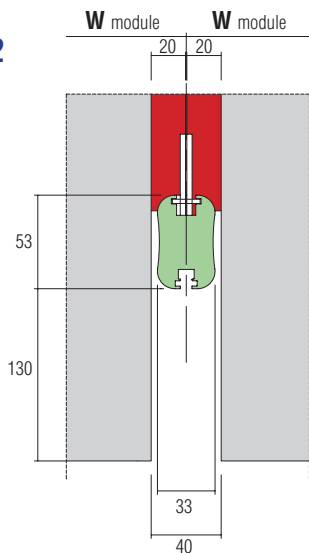
# SCREEN

SHELF WARDROBE: MOULES

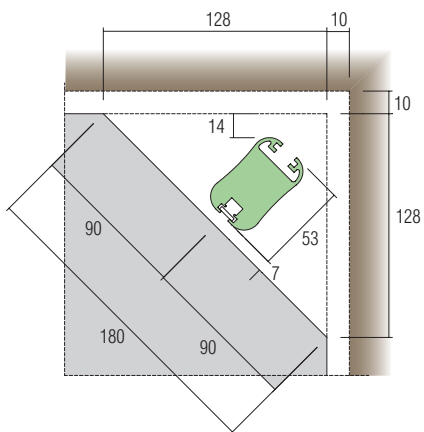
1



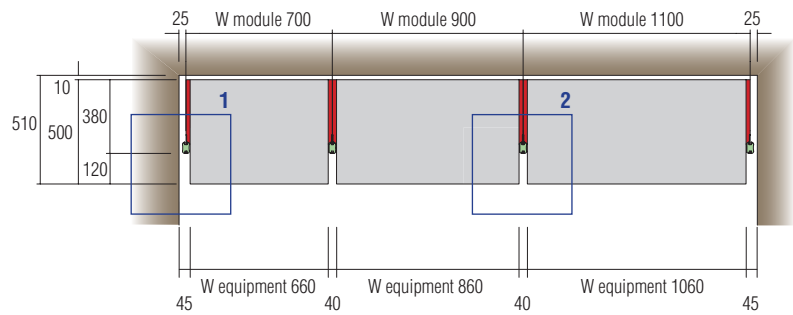
2



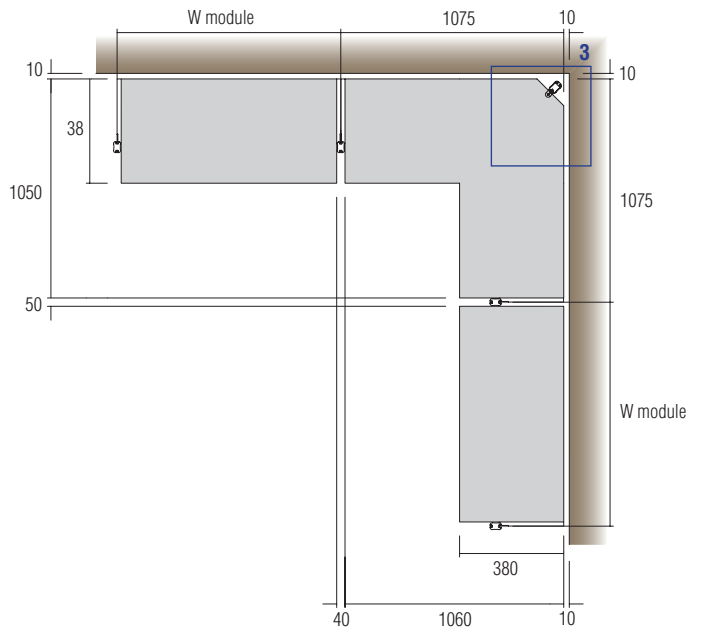
3



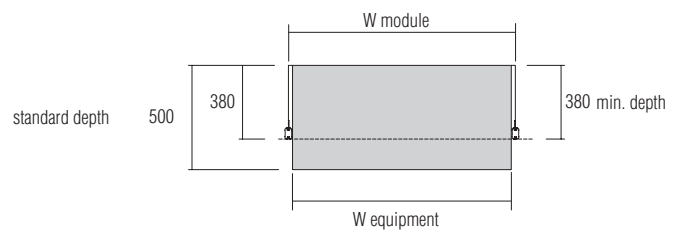
## STRAIGHT SOLUTION



## CORNER SOLUTION



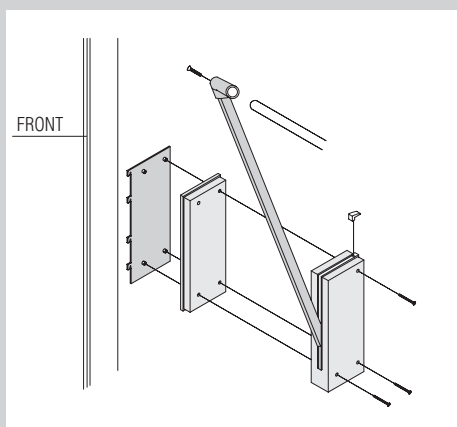
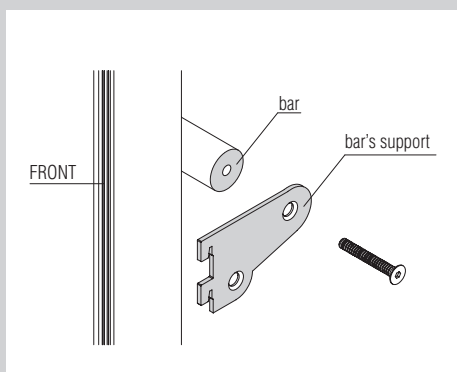
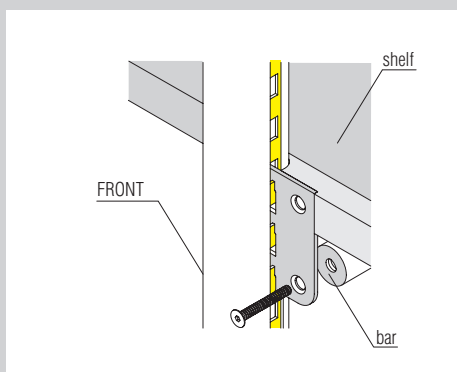
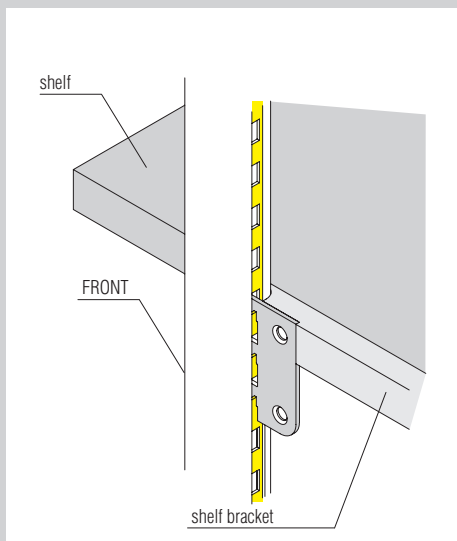
## CUSTOM-MADE SOLUTION



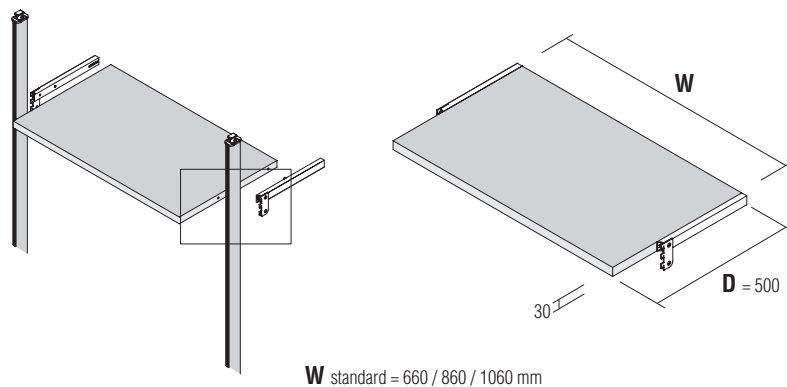
**W** custom-made module  
custom-made shelf's depth (min. 380 mm)

# SCREEN

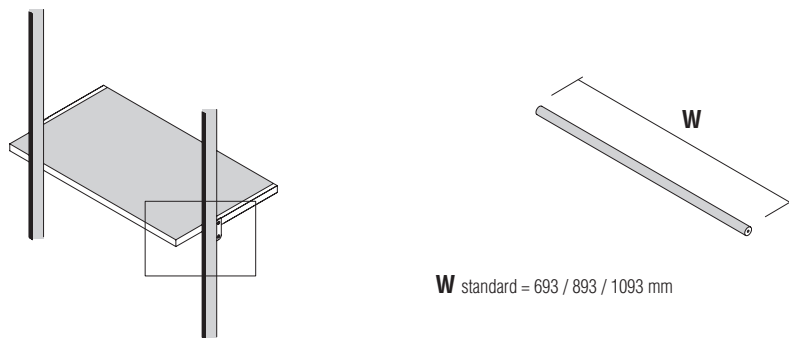
## SHELF WARDROBE



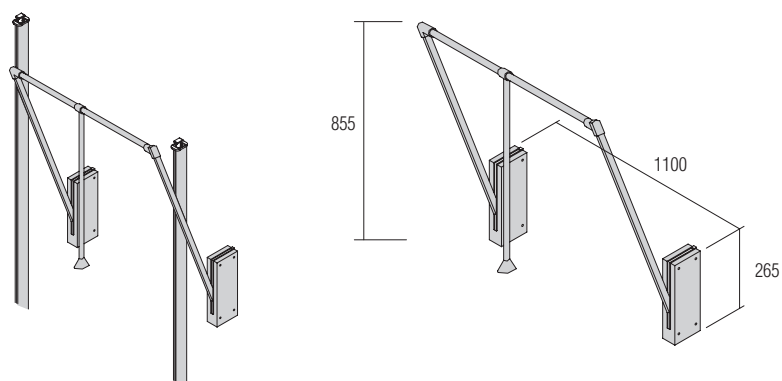
### SHELF



### CLOTHES HANGER BAR

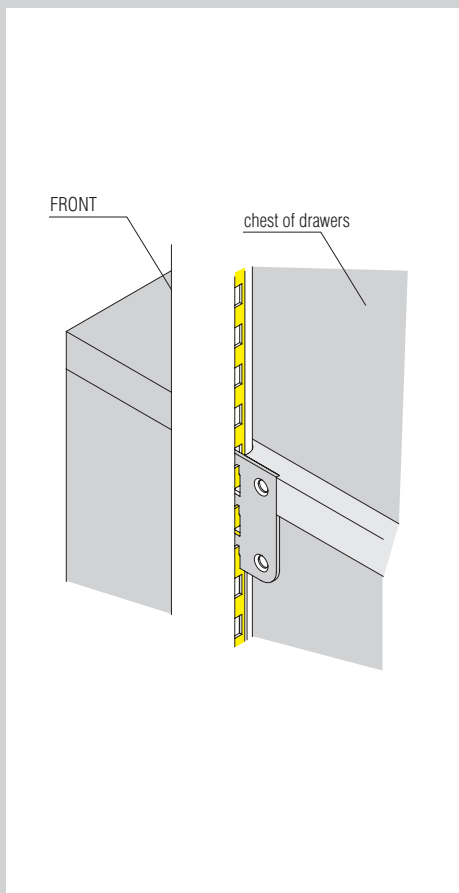


### RECLINING CLOTHES HANGER

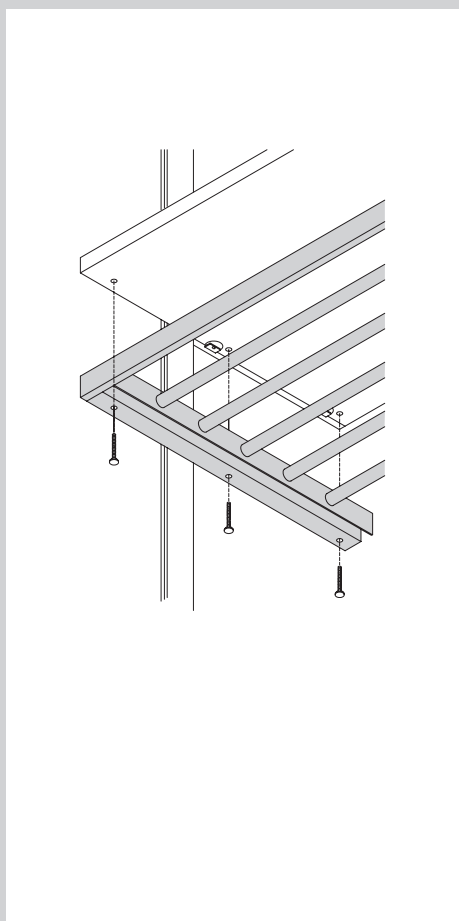
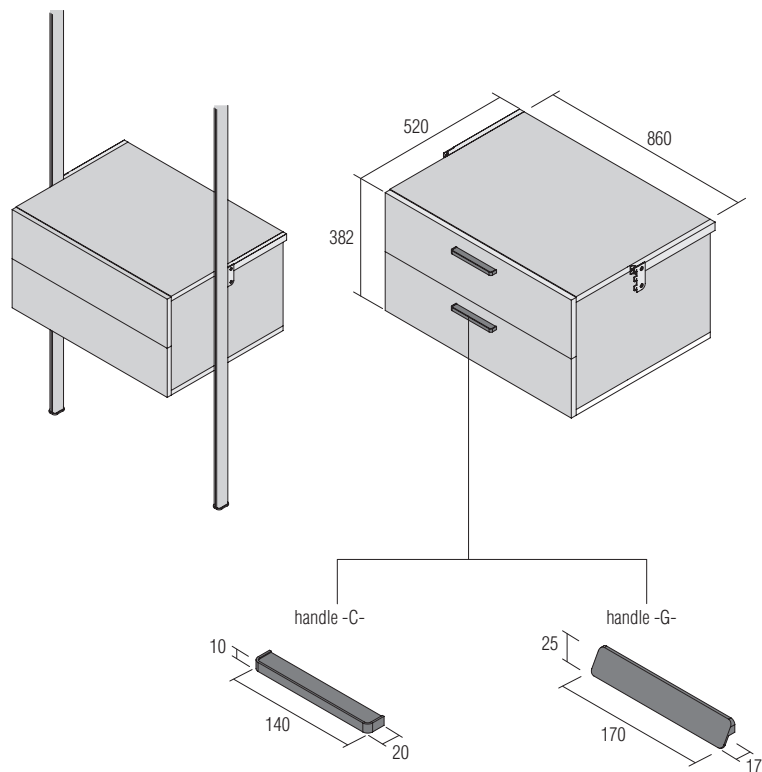


# SCREEN

SHELF WARDROBE: EQUIPMENT



## CHEST OF DRAWERS



## TROUSERS HOLDER

